



## Rules & Regulations Acknowledgement

In order to participate in the Vancouver **GOLFEXPO** 2019, this Acknowledgement of the Rules and Regulations **must be fully completed and returned** by January 26<sup>th</sup>, 2019.

Return to:

NGCOA Canada  
810 – 515 Legget Drive  
Ottawa, Ontario  
K2K 3G4  
Fax: (613) 226-4148  
Email: [ebeck@ngcoa.ca](mailto:ebeck@ngcoa.ca)

**By signing below, the Exhibitor acknowledges and agrees to the Vancouver GOLFEXPO General Show Information Page and the Rules and Regulations as set forth below.**

\_\_\_\_\_  
Signature

\_\_\_\_\_  
Date

**Please complete (print) the following information:**

\_\_\_\_\_  
Contact Name (as signed above)

\_\_\_\_\_  
Title

\_\_\_\_\_  
Company

\_\_\_\_\_  
Address

\_\_\_\_\_  
Telephone incl. Area Code

\_\_\_\_\_  
Email

\_\_\_\_\_  
On-Site Contact

\_\_\_\_\_  
Telephone incl. Area Code

\_\_\_\_\_  
Booth Number

---



## Rules & Regulations

### Damage to Property

Use of nails, screws or any material that may mark and / or damage floors, walls, columns or ceilings is strictly prohibited. Exhibitors wishing to lay any floor covering may not adhere same to the building floor. In such cases, it is suggested that building papers or other suitable protection be first laid down. If double sided tape is required, the exhibitor must ensure that this tape is obtained from the Official Show Supplier as they use industry-specific tape. Due to the nature of the floor surface, additional care must be taken to not damage the floor by placing excess weight in any concentrated area. Exhibitor is liable for any damage caused to building floors, walls, columns or ceilings or to standard booth equipment. Any damage caused by an exhibiting company will be the responsibility of the exhibitor and all associated costs will be covered by the exhibitor.

### Insurance

Current and in force Commercial General Liability Insurance coverage, with a minimum limit of \$1,000,000, is **mandatory** for all exhibitors that are participating in the Vancouver **GOLFEXPO 2019**. Please note that the following parties should be named as "Additional Insured" on the document: Vancouver **GOLFEXPO AND** Pacific National Exhibition Forum. A copy of your insurance certificate is required by Show Management on, or before, January 26<sup>th</sup>, 2019. If a 3<sup>rd</sup> party supplier will be installing/dismantling the exhibit, Show Management will also require a copy of their current and in force Commercial General Liability Insurance coverage, with a minimum limit of \$1,000,000. Please fax a copy of this/these document/s to (613) 226-4148. Show Management reserves the right to refuse admission to any exhibitor who fails to comply with this regulation. In this event, no refund will be forthcoming from Show Management for exhibit costs.

### Fire Prevention

No combustible or inflammable liquid or material may be used in any exhibit or display. All materials used for decorative purposes must be flameproof. All exhibit, display or demonstration installations must meet the requirements of all regulations and inspections enforced by the local Fire Department and the Pacific National Exhibition Forum. Representatives of the fire safety department will inspect and may randomly test materials on the Show floor prior to and following the opening of the Show. It is important that any violations are immediately corrected.

### Contests and Draws

Draws conducted by exhibitors in conjunction with their exhibit must be free of any obligation on the part of the winner. Prize winners must not be required to place an order before collecting the prize offered. The schedule of prizes and terms of the competitions must be clearly stated on the entry form. Exhibitors wishing to conduct a contest/draw at the Vancouver **GOLFEXPO 2019** must follow all rules under [Section 74.06 of the Competition Act](#) obtainable from Consumer and Corporate Affairs. Failure to comply with the rules of this Act constitutes a criminal offense. Fines could be as high as \$25,000, and imprisonment terms of up to 5 years. Contest/draw rules and regulations must state that such a contest/draw is conducted independently of the Show and that Show Management will NOT assume responsibility for any liability arising as a result of contest/draw being held at the Show. All such competitions must be approved by Show Management at least 2 weeks before the Show and comply with all existing government regulations. All information gathered must be by means of a ballot which must include an option for attendees to "Opt Out" of all further communications from exhibitor. This ballot is subject to approval by Show Management, MUST be CASL compliant, and must be submitted for approval. A Contest/Draw/Ballot Approval Form will be available from Erica Beck and should be returned by January 26<sup>th</sup>, 2019



### **Motorized Vehicle which forms part of an exhibit**

When motorized vehicles are to be displayed during an event, the PNE shall be notified in advance. Events with displayed motorized vehicles shall comply with the following:

1. Vehicles shall not be started or operated within any assembly building during Show hours. Repair of display vehicles is prohibited within any assembly building.
2. All fuel tank openings shall be locked or sealed in an approved manner. Where it is not feasible to lock or seal the opening, the fuel tank shall be empty and the vehicle towed into position.
3. Batteries shall be disconnected. Fuel-electric hybrid vehicles shall be safeguarded to prevent operation of the vehicle.
4. Adding or removing fuel on site is prohibited (must be done outdoors).
5. Vehicle fuel shall not exceed one quarter (25%) of the tank capacity or 20L whichever is less.
6. No "Armor All" or any oil based tire cleaner is to be sprayed on vehicles before entry or while on display in assembly buildings.
7. Oil pan to be placed underneath the vehicles.
8. Carpet or like material must be placed underneath each tire to protect the floor.
9. Vehicles must be situated so there is a minimum 10-foot corridor on every side of the display.

Vehicles powered by Liquid Propane Gas (LPG) are permitted in assembly buildings subject to complying with all the following City of Vancouver By-laws:

1. The propane fuel tank is permanently installed,
2. fuel system is equipped with an automatic stop-fill valve,
3. fuel cut-off valve is closed,
4. fuel tank filling connections are locked or secured against tampering, and
5. batteries are disconnected.

In addition, permanently installed propane systems (not for vehicle fuel) in recreational vehicles, boats, trailers and similar exhibited products shall be empty of propane prior to entering any display building.

### **Alcoholic Beverages**

The use or consumption of alcoholic beverages (spirits, wine and beer) by exhibitors in all exhibit areas, is contrary to provincial legislation set out by the *Liquor Control and Licensing Act* (LCLA) and the *Liquor Control and Licensing Regulation* (LCLR). Show Management reserves the right to refuse admission to the exhibitor, or exhibitor's employees who, in the opinion of Show Management, is under the influence of alcohol, or behaves in a manner that creates a disruption of the Show.

### **Signage**

Exhibitors are permitted to display signs representing their products only in those areas for which they have contracted space. All signage must be professionally done. The top of all signage must be positioned a maximum of 8' from the floor. Any exceptions must be pre-approved, in writing, by Show Management. Signage may not be attached directly to the back drape. It may be hung by means of S-hooks from the top of the drape line piping.

# VANCOUVER GOLF EXPO

## In Booth Demonstrations

### Regulation

Demonstration areas must be organized within the exhibitor's space so as not to interfere with any traffic aisle and sampling or demonstration tables must be placed a minimum of 2' (0.60 m) from the aisle line. Should spectators or samplers interfere with the normal traffic flow in the aisle or cause there to be an overflow into neighbouring exhibits, Show Management will request that the presentation be altered to remove the interference and / or the overflow. Show Management reserves the right to discontinue the sampling or demonstration if, in their sole discretion, the situation cannot be resolved satisfactorily.

### Sound

Exhibitors must control their own booths to be sure that the noise levels from demonstrations or sound systems is kept to a minimum so as not to interfere with other exhibitors. Remember, the use of sound systems or equipment producing sound is an exception to the rule, not a right. Show Management reserves the right to determine at what point a noise or sound level constitutes interference with others and must be reduced or discontinued. Show Management reserves the right to discontinue the demonstration or the use of the sound system if, in their sole discretion, the situation cannot be resolved satisfactorily.

### Safety Precautions

All product demonstrations involving any moving and potentially hazardous equipment or displays **must** have hazard barriers to prevent accidental injury to exhibitors, attendees and spectators. Demonstrations **must always** be supervised by exhibitor personnel who can stop the demonstration in the event of an emergency. All demonstrations involving potentially hazardous situations or by-products must have prior written approval from Show Management.

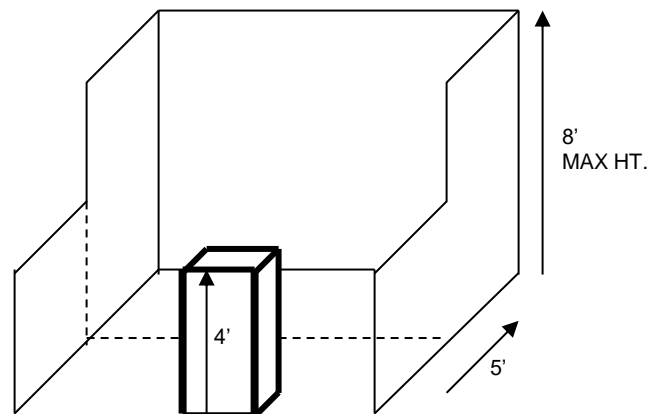
## BOOTH DIMENSIONS

### STANDARD BOOTH (10ft. wide x 10ft. deep x 8ft. high)

#### Height

Exhibit fixtures, components and identification signs will be permitted to a maximum of 8' (2.42 m).

#### Depth



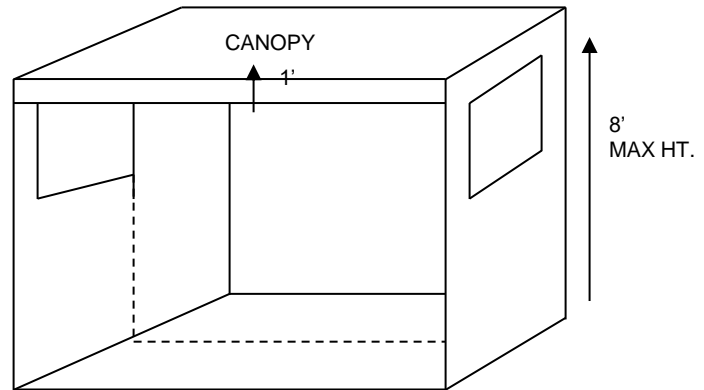
All display fixtures over 4' (1.22m) in height and placed within 10' (3.05 m) of an adjoining exhibit must be confined to that area of the exhibitor's space which is at least 5' (1.52 m) from the aisle line.

# VANCOUVER GOLF EXPO

## CANOPIES AND CEILINGS

### Height

Canopies, false ceiling and umbrellas will be permitted to a height that corresponds to the height regulation for the appropriate exhibit configurations of which they are a part. For example, canopies will not exceed 8' (2.42 m) in height in a standard booth configuration. Furthermore, the canopy or false ceiling will not exceed 1' in depth and cannot be used for identification or display purposes.



**Note:** This diagram is for indicating height only – full side walls are **not** permitted.

Canopy ceilings may extend out to the aisle line and up to the booth line on either side of an exhibitor's space providing that the support structure will not exceed 3" (0.075 m) in width when placed within 10' (3.04 m) of an adjoining exhibit and not confined to that area of the exhibitor's space which is at least 5' (1.52 m) from the aisle line.

Canopy side walls may not extend beyond 3 ft from the back wall of the exhibit space.

Canopies, false ceilings or umbrellas will not be used for identification or display purposes except as would normally be allowed for any exhibit component within the regulation set forth for the exhibit configuration.